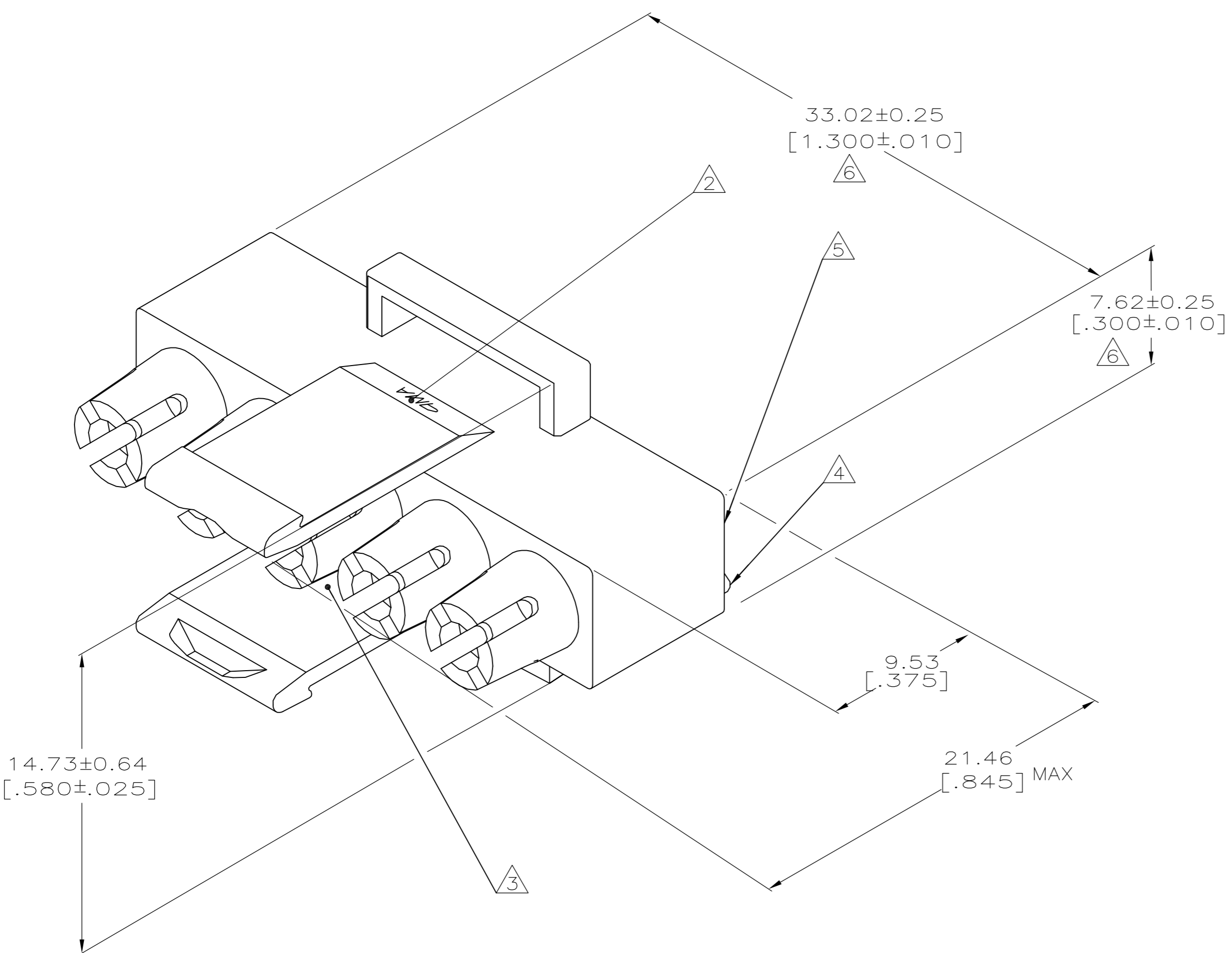


THIS DRAWING IS UNPUBLISHED. RELEASED FOR PUBLICATION
 © COPYRIGHT - By - ALL RIGHTS RESERVED.

LOC	DIST	REVISIONS					
		P	LTR	DESCRIPTION	DATE	DWN	APVD
CM	53						
		D1		REV PER ECR 12-010419	07JUN12	JR	TM



1. MUST BE ASSEMBLED WITH PLUG FRONT P/N 770319-1 BEFORE MATING. KIT P/N IS 770016-1.
- △2 AMP LOGO LOCATED THIS SURFACE.
- △3 UL AND CSA LOGOS LOCATED ON FARSIDE.
- △4 CIRCUIT NO. 1 IDENTIFICATION BUTTON LOCATED APPROXIMATELY AS SHOWN.
- △5 LOCATION OF CIRCUIT NUMBERS MOVE BUT WILL REMAIN ADJACENT TO APPROPRIATE CAVITY.
- △6 DIMENSION INDICATED IS AS MOLDED. ADDITIONAL GROWTH DUE TO SUBSEQUENT MOISTURE ABSORPTION MAY OCCUR.
- △7 PRELIMINARY - NOT FOR PRODUCTION

NYLON UL94, V0 COLOR-BLUE	△7 1-770320-4
NYLON UL94, V0 COLOR-RED	△7 1-770320-2
NYLON UL94, V0 COLOR-NATURAL	770320-1
MATERIAL & COLOR	PART NUMBER

THIS DRAWING IS A CONTROLLED DOCUMENT.		DWN	K. SALMON	1-15-92	TE TE Connectivity											
DIMENSIONS: MM [INCHES]		CHK	R. SWING	1-15-92												
TOLERANCES UNLESS OTHERWISE SPECIFIED:		APVD	M TRULL	1-15-92												
<table border="0"> <tr><td>0 PLC</td><td>± -</td></tr> <tr><td>1 PLC</td><td>± -</td></tr> <tr><td>2 PLC</td><td>± -</td></tr> <tr><td>3 PLC</td><td>± 0.13 [.005]</td></tr> <tr><td>4 PLC</td><td>± -</td></tr> <tr><td>ANGLES</td><td>± -</td></tr> </table>		0 PLC	± -	1 PLC		± -	2 PLC	± -	3 PLC	± 0.13 [.005]	4 PLC	± -	ANGLES	± -	PRODUCT SPEC	NAME PLUG REAR, 5 CIRCUIT, UNIVERSAL MATE-N-LOK II
0 PLC	± -															
1 PLC	± -															
2 PLC	± -															
3 PLC	± 0.13 [.005]															
4 PLC	± -															
ANGLES	± -															
MATERIAL SEE TABLE	FINISH -	APPLICATION SPEC	-		SIZE A2											
		WEIGHT	-		CAGE CODE 00779											
		CUSTOMER DRAWING		SCALE 5:1	SHEET 1 of 1											
				REV D1	RESTRICTED TO -											